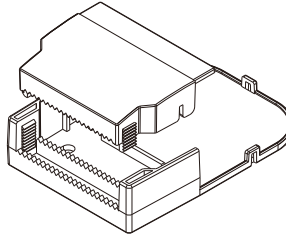
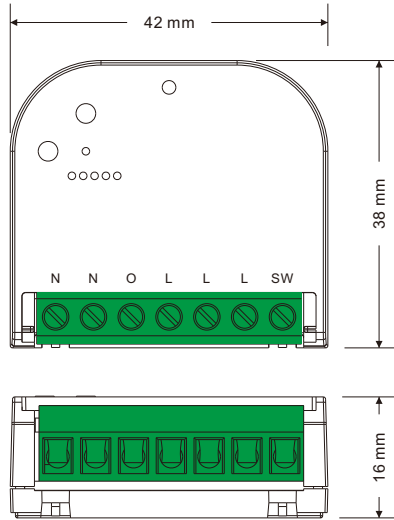


Casambi Micro Smart Dimmer

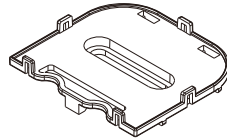


Important: Read All Instructions Prior to Installation

Function introduction



Accessory 1: Wire clamp cover. Need to purchase separately.



Accessory 2: din rail bracket. Need to purchase separately.

Product Data

Input Voltage	Output Voltage	Output Current	Max. Number of Parallel Connected Load	Size(LxWxH)
100-240VAC	100-240VAC	0.1-1.1A	6	42x38x16mm

Compatible Load Types			
Load Symbol	Load Type	Maximum Load	Remarks
	Dimmable LED lamps	200W @ 230V 100W @ 110V	Due to variety of LED lamp designs, maximum number of LED lamps is further dependent on power factor result when connected to dimmer.
	Dimmable LED drivers	200W @ 230V 100W @ 110V	Maximum permitted number of drivers is 200W divided by driver nameplate power rating.
	Incandescent lighting, HV Halogen lamps	250W @ 230V 125W @ 110V	
	Low voltage halogen lighting with electronic transformers	200W @ 230V 100W @ 110V	

- Casambi AC phase cut dimmer
- 100-240VAC Wide Input and Output Voltage
- Supports resistive loads, capacitive loads or inductive loads
- 1 Channel Output, Up to 250W
- Input and Output with Screw Terminals, Safe and Reliable
- Trailing edge dimming
- With push switch input, button function can be configured by Casambi app

- The phase dimmer can be controlled by Casambi app, remotes, wall switches, kinetic switches, the buttons can control Casambi network wirelessly
- Typical mesh range is over 50 meters line of sight for indoor environment
- Supports power metering
- Mini Size, Easy to be Installed into a standard wall box

Main Features:

- Can operate under two-wire connection with no neutral lead or three-wire connection with neutral lead
- Advanced microprocessor control
- Implemented algorithm of smart light source detection
- Active power and energy metering functionality
- Soft start function
- Minimum dimming level setting function
- Works with various types of switches – momentary, toggle, three-way, etc.
- Active element: semiconductor electronic switch
- To be installed in wall switch boxes of dimensions allowing for installation, conforming to provisions of applicable regulations
- The Bypass is an extension unit

As a dimmer it operates under the following loads:

- Conventional incandescent and HV halogen light sources
- ELV halogen lamps and dimmable LED bulbs (with electronic transformers)
- MLV halogen lamps (with ferromagnetic transformers)
- Dimmable LED bulbs
- Dimmable compact fluorescent CFL tube lamps
- Supported dimmable light sources (power factor > 0.5) with minimal power of 3VA using the Bypass (depending on the type of load)

Safety & Warnings

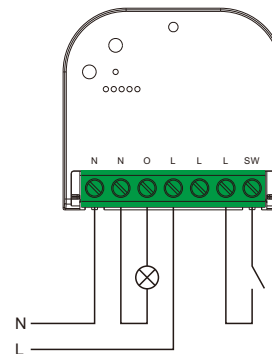
- DO NOT install with power applied to device.
- DO NOT expose the device to moisture.

Wiring Diagram

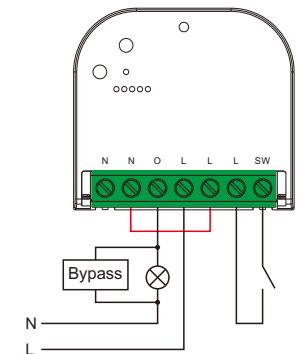
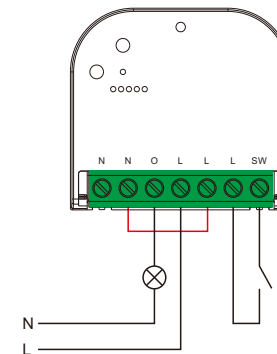
Notes for the diagrams:

- L - terminal for live lead
- N - terminal for neutral lead
- O - output terminal of the dimmer (controlling connected light source)
- SW - terminal for switch

Method 1: With neutral



Method 2: Without neutral



* When using the device without neutral, the smart dimmer requires at least 20W @ 240 VAC of power consumption to operate. If the connected light has a smaller power consumption, then Bypass is needed for the device to work.

Configure push button function via Casambi APP

Step 1: Open the Casambi app and add the dimmer to your Casambi network. After a successful addition, the dimmer will be shown in the **Switches** view.

Step 2: In the **Switches** view, tap on the dimmer to configure its button function. One push button is available for configuration. you can choose to control a luminaire in the app.

Step 3: After configuration, you can use the app to control the lighting.

Note: Please refer to the Casambi App User Manual for more detailed operations if needed.